



## Specifications

	JAMAJKA G 0.6	JAMAJKA G 0.9	JAMAJKA G 1.3
CODE	JA103G	JA102G	JA101G
Length [mm]	700	1000	1400
Length with the sides [mm]	700	1000	1400
Capacity [dm <sup>3</sup> ]	203	305	440
Working capacity of the chamber [dm <sup>3</sup> ]	203	305	440
The area of shelves [m <sup>2</sup> ]	0,96	1,5	2,1
Depth [mm]	865	865	865
Depth - wood [mm]	865/810/850	865/810/850	865/810/850
Height [mm]	1370+/10	1370+/10	1370+/10
Unit weight [kg]	90	145	195
Shelves dimensions [mm]	570x380 3szt	870x380 3szt	1280x380 3szt
Rated voltage [V]	230/50Hz	230/50Hz	230/50Hz
Rated power of lighting [W]	200	200	200
Rated power [W]	830	1660	2090
produkt.tech.moc_znamionowa_grzalek	600	1400	1800
Electricity consumption [kWh/h]	03	0,6	0,7
Electricity consumption [kWh/24h]	1,6	1,6	1,6

## Standard equipment

warm air circulation  
 wooden external housing - different colors available (IGLOO pattern book)  
 wooden side panels - different colors available (IGLOO pattern book)  
 ecological polyurethane foam insulation  
 internal frame painted silver or gold (IGLOO pattern book)  
 glass exposition shelves with height and angle adjustment  
 bottom shelf made of acid-resistant stainless steel  
 back sliding doors with combined glass <sup>1</sup>  
 double, opened, curved front glass  
 each shelf illumination with oven lightbulbs  
 device leveling legs  
 water level sensor  
 temperature regulator

<sup>1</sup> in JAMAJKA 0.6 - hinged doors with choice of door opening direction

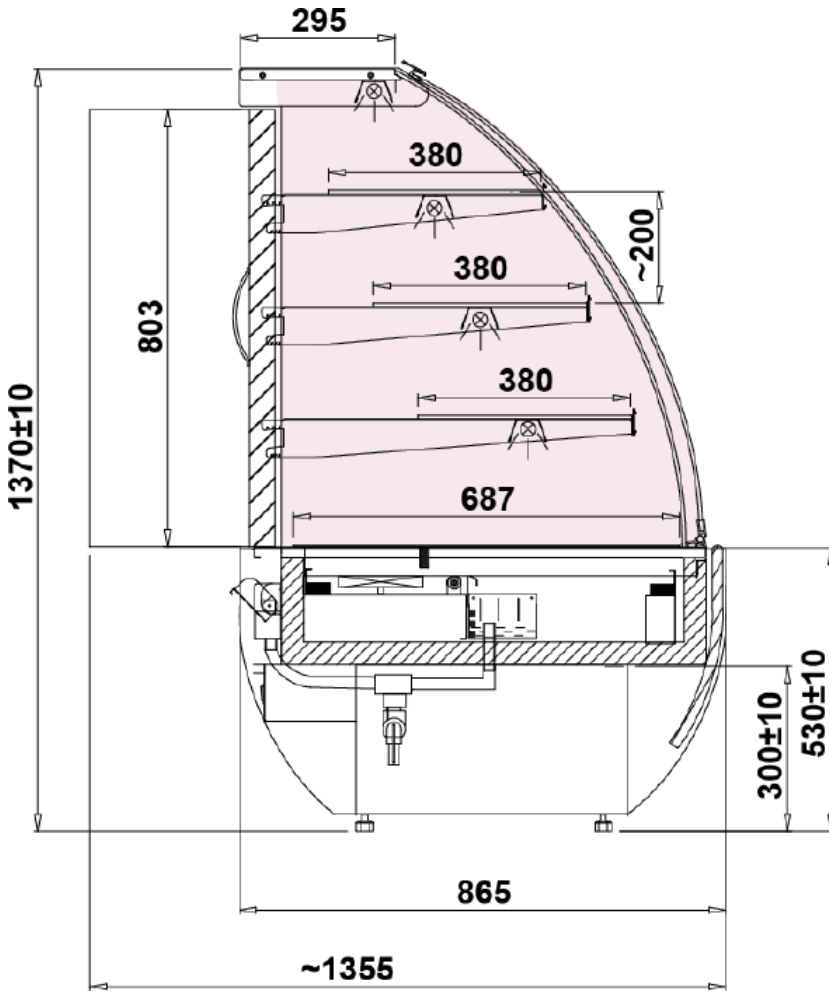
## Options

device prepared for individual design (without wooden housing)  
 wooden side panels - different colors available (IGLOO pattern book) <sup>2</sup>  
 external panelling made of stainless steel  
 automatic water refill system  
 internal frame made of acid-resistant stainless steel for 0.6 model

Options

internal frame made of acdi-resistant stainless steel for 0.9 model  
 internal frame made of acdi-resistant stainless steel for 1.3 model  
 small tray (400mm x 375mm)  
 bottom tray (400mm x 520mm)

<sup>2</sup> applies to MOD



Wood veneer



Wood veneer - the side



Anodized Aluminum Profiles Colors



**IGLOO** Stary Wiśnicz 289, 32-720 Nowy Wiśnicz, Poland

tel.: +48 14/ 662 19 10  
 fax: +48 14/ 662 19 12

