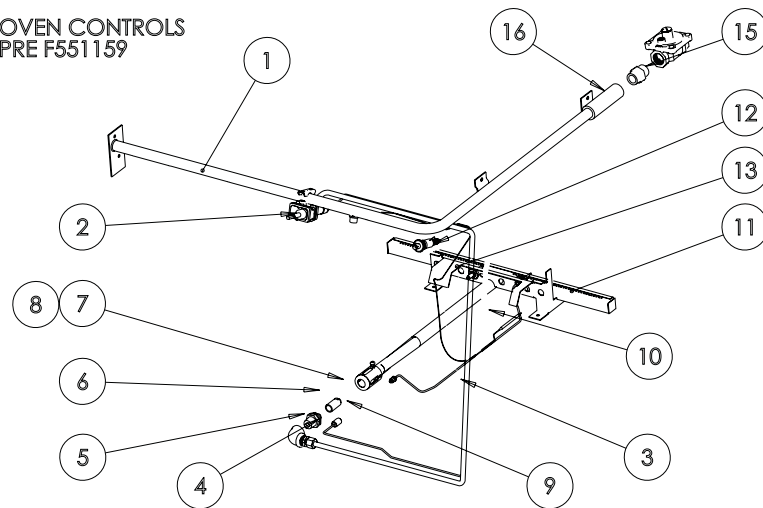
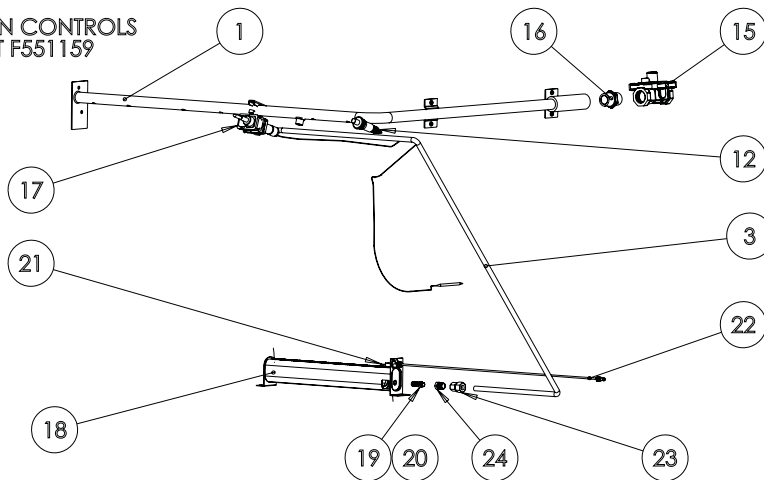


DOMINATOR PLUS

OVEN CONTROLS
PRE F551159



OVEN CONTROLS
POST F551159



ITEM	DESCRIPTION	G3101 SPARES No	G3117 SPARES No	G3107 SPARES No
1	FLOAT RAIL	535290010	535310008	535310008
2	OVEN THERMOSTAT NAT GAS & PROPANE (PRE F551159)	535200022	535200022	535200022
	10MM OLIVE	10.1 535290012	535290012	535290012
	TUBE NUT	10.2 535290013	535290013	535290013
	NAT GAS BYPASS SCREW (76)	10.3 535290008	535290008	535290008
	PROPANE BYPASS SCREW (52)	10.4 535290014	535290014	535290014
3	OVEN FLEXI PIPE C/W OLIVES	535480082	535480082	535480082
4	OVEN PIPE COUPLING(PRE F551159)	535480042	535480042	535480042
5	ELBOW (PRE F551159)	535480041	535480041	535480041
6	INJECTOR HOLDER(PRE F551159)	535480035	535480035	535480035
7	OVEN BURNER INJECTOR NAT GAS(PRE F551159)	535480036	535480036	535480036
8	OVEN BURNER INJECTOR PROPANE (PRE F551159)	535480037	535480037	535480037
9	OVEN THERMOCOUPLE EXTENSION (PRE F551159)	535400120	535400120	535400120
10	OVEN THERMOCOUPLE (PRE F551159)	535400180	535400180	535400180
11	OVEN BURNER (PRE F551159)	535290015	535290015	535290015
12	OVEN PIEZO IGNITER	535010000	535010000	535010000
13	OVEN IGNITION ELECTRODE (PRE F551159)	535480033	535480033	535480033
14	OVEN IGNITION LEAD (NOT SHOWN) (PRE F551159)	535290016	535290016	535290016
15	GOVERNOR	535480015	535480015	535480015
16	3/4" FITTING	535480016	535480016	535480016
17	OVEN THERMOSTAT NAT GAS & PROPANE (POST F551159)	535290062	535290062	535290062
	10MM OLIVE	17.1 535290012	535290012	535290012
	TUBE NUT	17.2 535290013	535290013	535290012
	NAT GAS BYPASS SCREW (93)	17.3 535290064	535290064	535290064
	PROPANE BYPASS SCREW (55)	17.4 535290070	535290070	535290070
18	OVEN BURNER(POST F551159)	535290055	535290055	535290055
19	OVEN BURNER INJECTOR NAT GAS (POST F551159)	535290056	535290056	535290056
20	OVEN BURNER INJECTOR PROPANE (POST F551159)	535290057	535290057	535290057
21	OVEN IGNITION ELECTRODE (POST F551159)	535290059	535290059	535290059
22	OVEN THERMOCOUPLE (POST F551159)	535290058	535290058	535290058
23	OVEN BURNER COUPLING (POST F551159)	535290060	535290060	535290060
24	OVEN BURNER REDUCER (POST F551159)	535290061	535290061	535290061
25	OVEN IGNITION LEAD (POST F551159)(NOT SHOWN)	535290063	535290063	535290063
	CONVERSION KIT NAT GAS TO PROPANE (PRE F551159)	535290029	535320001	535310011
	CONVERSION KIT PROPANE TO NAT GAS (PRE F551159)	535290030	535320002	535310012
	CONVERSION KIT NAT GAS TO PROPANE (POST F551159)	535290065	535320005	535310013
	CONVERSION KIT PROPANE TO NAT GAS (POST F551159)	535290066	535320006	535310014

Issue	Alteration	Date	Product	Document Reference
B	7224	10/12/2014	G3101 oven controls	AA51835

